



BaerCoil[®]

**Wire Thread Inserts
type: "free running"**



BaerCoil® Wire Thread Inserts - type: "free running"

BaerCoil® thread inserts are made from austenitic chromium-nickel steel (stainless steel AISI 304 with a material tensile strength of at least 1400 N/mm²). In production the wire is swaged in cold-form to a rhombic cross-section, which ensures performance and maximum space utilization. With BaerCoil® thread inserts you achieve a better thread connection in regard to wear resistance, thread abrasion, surface finish, corrosion- and heat resistance than with any other single screw connection.



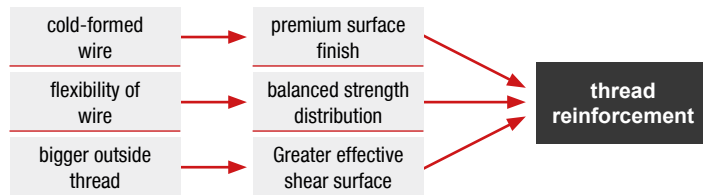
BaerCoil® Wire Thread Inserts - type: "screw grip"

In addition to "free-running" insert characteristics, BaerCoil® "screw grip" thread inserts have one or more polygonformed windings, which have a clamping effect on the flanks of the inserted screw. We only recommend using screws with a higher screw property class (from 8.8 on) because of this screw locking or screw clamping effect. An elastic and flexible frictional connection is formed. The clamping torque is comparable to the indications in DIN 267 Part 15 and ISO 2320. BaerCoil® "screw grip" thread inserts are predominantly used in areas where screw connections must remain tight while exposed to impacts, constant vibrations and movements.

i see locking torque values on page 7

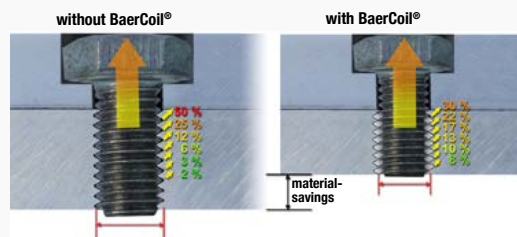
Thread Reinforcement and higher tensile strength

BaerCoil® thread inserts reinforce and increase the pull-out strength especially in materials with low shear strength, as e.g.: aluminum or magnesium.



example from test results

material	Magnesium
thread - length	M 10 x 1,5 - 10 mm
pull-out strength without BaerCoil	3540 kg/mm ²
pull-out strength with BaerCoil	4570 kg/mm ²
relative increase	about 29 %



Premium surface finish

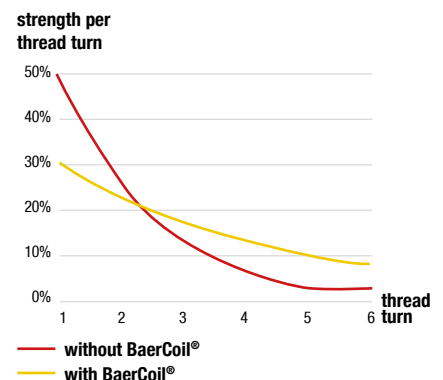
BaerCoil® thread inserts have a premium surface finish (about 2,5 µm) and are made predominantly from stainless steel (AISI 304) or other materials with a hardness (min. 425 HV 0,2) that far exceeds normal screw connections. For repetitive screw connections these properties ensure, among other things, a higher and consistent tension force at the same torque strength. This leads to a better utilization of yield strength. The torsion tension is up to 90% less than for threads without BaerCoil® thread inserts.

Premium surface finish

Threads with BaerCoil® inserts more evenly distribute static and dynamic workloads to the individual thread turns. The flexibility of the inserts compensates for the rise- and angle errors, achieving an ideal force transmission from the bolt to the thread of the nut.

Greater effective shear surface

The BaerCoil® wire thread insert has a greater effective shear surface than a normal screw connection with cut thread turns. The shear surface refers to the contact surface of the wire thread insert or screw with the cut outer thread. The greater this surface, the less the force that affects a square mm.



Protection against wear of a thread

BaerCoil® thread inserts protect the thread against wear and damage in all metals and their alloys, as e.g. aluminum, magnesium, titanium, copper, steel, plastic and other materials. The thread insert is very hard and has a premium surface finish. Since the surface has minimal roughness, less friction force affects the thread when inserting the screw. The decrease in thread friction force also minimizes wear.

Reductions of weight and space

The reduction in weight is an uncontested and important design element for many products. Due to the high thread resilience of BaerCoil® thread inserts, the usage of smaller thread diameters and shorter thread lengths is possible. The extremely high resilience of the clad thread allows for, depending on material and size, material savings of up to ca. 10 - 30 %. BaerCoil® thread inserts save material, building space and weight while fulfilling the same or higher requirements.

Minimize total costs

Since less material is needed, BaerCoil® inserts reduce production costs while still providing the required solidity of the thread connection. Moreover, follow-up costs are very low: Lighter vehicles and aircrafts require less gasoline or kerosene. Expensive spare parts and elaborate installations can be avoided with thread cladding, and damaged threads can be repaired easily.

Applications

BaerCoil® thread inserts are especially well suited for the following materials:

- Aluminum and aluminum alloys
- Brass, bronze, cast-iron
- Magnesium alloys
- Steels etc.

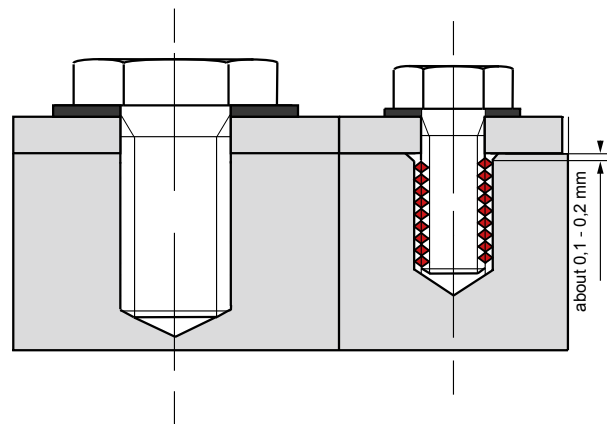


Corrosion-resistance

BaerCoil® thread inserts also have excellent corrosion-resistance properties. This ensures applicability in almost all materials and under most conditions.

Flexibility

BaerCoil® thread inserts were constructed to be axially and radially elastic. This ensures that each winding can adjust independently and thereby compensate for rise- and angle errors that exist between the inner thread and the screw. The force is distributed evenly to all thread turns.

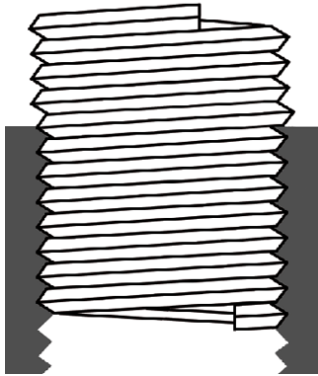


Thread Repair

Besides thread reinforcement, the BaerCoil® thread insert also facilitates the repair of damaged threads. Rejected parts can be salvaged while maintaining the original thread size. Additionally, the thread is strengthened in its pull-out- and corrosion resistance. In maintenance the use of these thread inserts saves procurement- and processing costs for spare parts.

Application examples:





- Motor vehicle industry: Motor, transmission, radiator, vehicle body parts, oil drain etc.
- Aerospace: Engines, assembly parts reinforcement etc.
- Electronic- and laboratory technology: Medical devices, capacitors, casings etc.
- Household appliances: Hole punch, iron, pocket calculator, cameras, cell phones
- Facility- and device construction: Pumps, construction machines, various components etc.
- Military devices: Airplanes, weapons, tanks, scopes etc.



Design

The outer diameter of non-installed BaerCoil® thread inserts is larger by a fixed measure than the receiving thread. This is necessary in order to apply radial pressure during installation to the inner thread of the receiving thread. This radial pressure safely and firmly seats the thread insert in the receiving thread. Additional securing elements are, therefore, not required. The thread insert adjusts to the thread turns and slightly expands in length. This is why the length of the thread insert can only be measured when installed since it lengthens while being pressed together as it adjusts to the cut thread. Each thread insert size is available in 5 lengths. Lengths range from 1 x, 1.5 x, 2 x, 2.5 x and 3 times the size of the thread diameter. Other lengths are available upon request.

Materials

	Material	Tensile Strength	Temperature resistance	Examples of use
	Stainless Steel V2A AISI 304 X5CrNi18-10 Material-No.: 1.4301	>1400 N/mm ²	315°C long-term 425°C short-term	standard applications for all property classes and materials for Thread Repair and Thread Reinforcement
	Stainless Steel V4A AISI 316 X5CrNiMo17-12-2 Material-No.: 1.4401	>1400 N/mm ²	315°C long-term 425°C short-term	<ul style="list-style-type: none"> ■ increased corrosion protection ■ low thread friction ■ for high alloyed CrNi steel screws general lightweight construction sea water and chlorine-containing water
	Inconel X750 NiCr15Fe7TiAl Material-No.: 2.4669	>1150 N/mm ²	550°C long-term 750°C short-term	<ul style="list-style-type: none"> ■ high thermal load ■ high corrosion protection aerospace technology turbocharger aeroplane engines turbines thermal power plants
	Bronze CuSn6 CW452K Material-No.: 2.1020	> 900 N/mm ²	250°C long-term 300°C short-term	<ul style="list-style-type: none"> ■ translation threads ■ CrNi screws ■ Cu workpieces ■ non-magnetic applications in sea water best electric conductivity

Surface treatments

surface treatments	color	applications
cadmium plating	iridescent yellow	provides high corrosion resistance and lubrication to prevent galling - suitable up to 250°C
zinc plating	white	provides corrosion resistance as an alternative to cadmium
silver plating	silver white	to reduce galling of threads at high temperatures
cadmium plate & olive drab	olive drab	as specified on US military specs such as NASM21209.
Dry Film Lubricated	grey	additional lubrication in high friction applications - recommended for use with screw grip inserts

Compatibility

BaerCoil® wire thread inserts and tools are compatible with wire thread inserts and tools from other manufacturers, in most cases. BaerCoil® inserts are mainly manufactured according to DIN 8140 so they have the same dimensions. Other standards like DIN65536, EN2944, LN9039, LN9490, LN9499, NASM21209, AS4736 to 4748, to 3799, MA3279 to 3281 and NASM214850 ect. are available, too. Compatibility cannot be guaranteed, so it is always recommended to test from case to case.

Screw property class

tensile strength of mounting material	screw property class							
	4.6	5.6	6.6	8.8	9.8	10.9	12.9	14.9
< 100 N/mm ²	1,5 D	1,5 D	2,0 D	2,5 D	3,0 D			
100 - 150 N/mm ²	1,5 D	1,5 D	2,0 D	2,0 D	2,5 D	2,5 D	2,5 D	3,0 D
150 - 200 N/mm ²	1,0 D	1,5 D	1,5 D	1,5 D	2,0 D	2,0 D	2,5 D	2,5 D
200 - 250 N/mm ²	1,0 D	1,0 D	1,5 D	1,5 D	1,5 D	2,0 D	2,5 D	2,5 D
250 - 300 N/mm ²	1,0 D	1,0 D	1,0 D	1,0 D	1,5 D	1,5 D	2,0 D	2,0 D
300 - 350 N/mm ²	1,0 D	1,0 D	1,0 D	1,0 D	1,5 D	1,5 D	1,5 D	2,0 D
350 - 400 N/mm ²	1,0 D	1,0 D	1,0 D	1,0 D	1,0 D	1,5 D	1,5 D	1,5 D
> 400 N/mm ²	1,0 D	1,0 D	1,0 D	1,0 D	1,0 D	1,5 D	1,5 D	1,5 D

Temperature limits for validity: aluminium alloys max. 300°C, magnesium alloys max. 100°C. For design of screwed connections under thermal stress, the changes of temperature-dependent material parameters must be taken into account. Intermediate lengths are available, too. For these guide values, the screw is the weaker joint member. Lengths can be shorter than recommended nominal lengths if tests confirm this.

Installation by hand

1

Drilling

Clear the damaged thread with a standard drill bit. To repair a spark plug thread no pre-drilling is necessary if using the special spark plug tap with pilot nose. Optionally you can countersink the borehole.



2

Tapping

Use the special BaerCoil® tap for cutting the holding thread into the cleared hole. BaerCoil® taps are suitable for blind- and through holes. It's recommended to use a suitable cutting oil.



3

Installing thread inserts

Place insert on installing tool and position the adjustable ring that the insert tang is centred in the tang slot. Wind insert in with light downward pressure until 1/4 to 1/2 turn below the surface. Do not turn against direction of rotation, because the tang can break.



4

Tang removal

Lift the inserting tool from tang and place the tang break tool over the tang and tap down sharply. For bigger sizes and spark plug use a long nose pliers to remove the tang.



Installation by machine or electronic screwdriver

1

Drilling

Clear the damaged thread with a standard drill bit. Optionally you can countersink the borehole.



2

Tapping

Use the special BaerCoil® tap for cutting the holding thread into the cleared hole. BaerCoil® taps and forming taps are suitable for blind and through holes. It's recommended to use a suitable cutting oil or emulsion.



3

Installing thread inserts

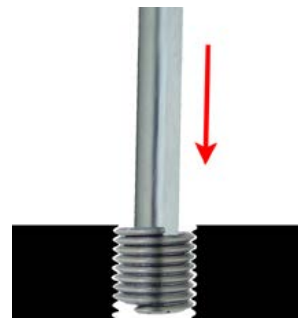
Position the work piece that bore and machine spindle are above each other. Set the counter nuts according the installation length (1/4 to 1/2 turn below the surface). Turn the thread insert onto the installation tool. Activate the machine so that the thread insert is screwed to the desired depth. After inserting screw the tool of the insert. Avoid any rough placement of the tool on the work piece so as to not damage the work piece, tool or thread insert.



4

Tang removal

Place the tang break tool over the tang and tap down sharply or work with a pneumatic tang break tool. For bigger sizes and spark plug use a long nose pliers to remove the tang. For bulk production automatic tang breaking tools are available, too.



BaerCoil® Wire Thread Inserts - type: "free running" - material: stainless steel 304

DIN 8140 with reduced diameter for better installation / Tolerance ISO 2 (6H)



M

Diameter x Pitch	pack. unit	1,0 D 1,0 x Diameter		1,5 D 1,5 x Diameter		2,0 D 2,0 x Diameter		2,5 D 2,5 x Diameter		3,0 D 3,0 x Diameter	
		Item-No.:	Price per unit	Item-No.:	Price per unit	Item-No.:	Price per unit	Item-No.:	Price per unit	Item-No.:	Price per unit
M 2 x 0,4	100	1-B7202-1	*	1-B7202-15	18,10 €	1-B7202-2	18,90 €	1-B7202-25	20,05 €	1-B7202-3	22,43 €
	10	2-B7202-1	12,55 €	2-B7202-15	6,58 €	2-B7202-2	6,88 €	2-B7202-25	7,25 €	2-B7202-3	8,12 €
M 2,2 x 0,45	100	1-B7203-1	15,72 €	1-B7203-15	16,07 €	1-B7203-2	19,81 €	1-B7203-25	20,85 €	1-B7203-3	23,69 €
	10	2-B7203-1	9,02 €	2-B7203-15	9,08 €	2-B7203-2	6,66 €	2-B7203-25	6,66 €	2-B7203-3	6,66 €
M 2,5 x 0,45	100	1-B7204-1	23,74 €	1-B7204-15	23,90 €	1-B7204-2	19,04 €	1-B7204-25	20,98 €	1-B7204-3	23,34 €
	10	2-B7204-1	9,02 €	2-B7204-15	9,08 €	2-B7204-2	6,66 €	2-B7204-25	6,66 €	2-B7204-3	6,66 €
M 3 x 0,5	100	1-B7205-1	13,42 €	1-B7205-15	15,12 €	1-B7205-2	16,07 €	1-B7205-25	16,48 €	1-B7205-3	18,35 €
	10	2-B7205-1	5,16 €	2-B7205-15	5,26 €	2-B7205-2	5,12 €	2-B7205-25	5,27 €	2-B7205-3	5,67 €
M 3,5 x 0,6	100	1-B7206-1	12,02 €	1-B7206-15	13,14 €	1-B7206-2	15,64 €	1-B7206-25	16,65 €	1-B7206-3	21,92 €
M 4 x 0,7	100	1-B7207-1	13,09 €	1-B7207-15	13,28 €	1-B7207-2	15,13 €	1-B7207-25	17,82 €	1-B7207-3	20,74 €
	10	2-B7207-1	4,55 €	2-B7207-15	4,67 €	2-B7207-2	4,97 €	2-B7207-25	5,50 €	2-B7207-3	6,08 €
M 4,5 x 0,75	100	1-BE4575-1	*	1-BE4575-15	*	1-BE4575-2	*	1-BE4575-25	*	1-BE4575-3	*
M 5 x 0,8	100	1-B7208-1	14,49 €	1-B7208-15	14,01 €	1-B7208-2	16,12 €	1-B7208-25	18,42 €	1-B7208-3	20,89 €
	10	2-B7208-1	4,87 €	2-B7208-15	4,98 €	2-B7208-2	5,17 €	2-B7208-25	5,67 €	2-B7208-3	6,05 €
M 6 x 0,75	100	1-BE675-1	*	1-BE675-15	*	1-BE675-2	*	1-BE675-25	*	1-BE675-3	*
M 6 x 1,0	100	1-B7209-1	12,43 €	1-B7209-15	15,38 €	1-B7209-2	19,72 €	1-B7209-25	25,23 €	1-B7209-3	27,71 €
	10	2-B7209-1	4,47 €	2-B7209-15	5,20 €	2-B7209-2	5,89 €	2-B7209-25	6,81 €	2-B7209-3	7,37 €
M 7 x 1,0	100	1-B7210-1	15,56 €	1-B7210-15	19,05 €	1-B7210-2	25,14 €	1-B7210-25	31,21 €	1-B7210-3	36,68 €
	10	2-B7210-1	5,08 €	2-B7210-15	5,80 €	2-B7210-2	6,80 €	2-B7210-25	8,02 €	2-B7210-3	8,97 €
M 8 x 0,75	100	1-BE875-1	*	1-BE875-15	*	1-BE875-2	*	1-BE875-25	*	1-BE875-3	*
M 8 x 1,0	100	1-B7212-1	17,81 €	1-B7212-15	23,21 €	1-B7212-2	29,41 €	1-B7212-25	34,65 €	1-B7212-3	41,60 €
	10	2-B7212-1	5,53 €	2-B7212-15	6,73 €	2-B7212-2	7,62 €	2-B7212-25	8,69 €	2-B7212-3	9,93 €
M 8 x 1,25	100	1-B7211-1	19,86 €	1-B7211-15	24,91 €	1-B7211-2	32,15 €	1-B7211-25	39,98 €	1-B7211-3	47,16 €
	10	2-B7211-1	5,87 €	2-B7211-15	7,07 €	2-B7211-2	8,46 €	2-B7211-25	10,01 €	2-B7211-3	11,41 €
M 9 x 1,0	100	1-BE91-1	*	1-BE91-15	32,74 €	1-BE91-2	*	1-BE91-25	*	1-BE91-3	*
	10	2-BE91-1	9,87 €	2-BE91-15	9,87 €	2-BE91-2	9,87 €	2-BE91-25	9,87 €	2-BE91-3	9,87 €
M 9 x 1,25	100	1-B7213-1	25,08 €	1-B7213-15	31,80 €	1-B7213-2	39,18 €	1-B7213-25	53,59 €	1-B7213-3	60,75 €
	10	2-B7213-1	6,96 €	2-B7213-15	8,36 €	2-B7213-2	10,01 €	2-B7213-25	11,95 €	2-B7213-3	14,48 €
M 10 x 1,0	100	1-B7217-1	23,19 €	1-B7217-15	32,00 €	1-B7217-2	40,51 €	1-B7217-25	46,86 €	1-B7217-3	55,21 €
	10	2-B7217-1	6,63 €	2-B7217-15	8,51 €	2-B7217-2	10,10 €	2-B7217-25	11,34 €	2-B7217-3	12,98 €
M 10 x 1,25	100	1-B7216-1	24,32 €	1-B7216-15	37,11 €	1-B7216-2	44,34 €	1-B7216-25	55,87 €	1-B7216-3	65,18 €
	10	2-B7216-1	6,95 €	2-B7216-15	9,44 €	2-B7216-2	10,86 €	2-B7216-25	13,10 €	2-B7216-3	14,91 €
M 10 x 1,5	100	1-B7215-1	28,47 €	1-B7215-15	39,44 €	1-B7215-2	49,36 €	1-B7215-25	60,40 €	1-B7215-3	77,33 €
	10	2-B7215-1	7,67 €	2-B7215-15	10,03 €	2-B7215-2	12,35 €	2-B7215-25	14,64 €	2-B7215-3	17,34 €
M 11 x 1,0	100	1-BE111-1	*	1-BE111-15	*	1-BE111-2	*	1-BE111-25	*	1-BE111-3	*
	10	2-BE111-1	11,33 €	2-BE111-15	11,33 €	2-BE111-2	11,33 €	2-BE111-25	11,33 €	2-BE111-3	11,33 €
M 11 x 1,25	100	1-B7219-1	36,19 €	1-B7219-15	54,84 €	1-B7219-2	65,92 €	1-B7219-25	81,80 €	1-B7219-3	106,33 €
	10	2-B7219-1	9,07 €	2-B7219-15	13,06 €	2-B7219-2	15,18 €	2-B7219-25	18,27 €	2-B7219-3	21,36 €
M 12 x 1,0	100	1-B7224-1	32,03 €	1-B7224-15	44,05 €	1-B7224-2	57,29 €	1-B7224-25	71,33 €	1-B7224-3	89,36 €
	10	2-B7224-1	8,41 €	2-B7224-15	10,83 €	2-B7224-2	13,53 €	2-B7224-25	16,25 €	2-B7224-3	19,34 €
M 12 x 1,25	100	1-B7223-1	32,79 €	1-B7223-15	45,08 €	1-B7223-2	58,52 €	1-B7223-25	73,00 €	1-B7223-3	81,53 €
	10	2-B7223-1	8,62 €	2-B7223-15	11,33 €	2-B7223-2	14,07 €	2-B7223-25	16,98 €	2-B7223-3	18,77 €
M 12 x 1,5	100	1-B7222-1	38,36 €	1-B7222-15	53,59 €	1-B7222-2	71,17 €	1-B7222-25	87,21 €	1-B7222-3	99,18 €
	10	2-B7222-1	10,04 €	2-B7222-15	12,81 €	2-B7222-2	16,23 €	2-B7222-25	17,31 €	2-B7222-3	21,68 €
M 12 x 1,75	100	1-B7221-1	37,70 €	1-B7221-15	53,88 €	1-B7221-2	67,05 €	1-B7221-25	93,31 €	1-B7221-3	113,81 €
	10	2-B7221-1	9,70 €	2-B7221-15	14,19 €	2-B7221-2	18,19 €	2-B7221-25	22,06 €	2-B7221-3	26,18 €
M 13 x 1,25	50	1-BE1325-1	*	1-BE1325-15	*	1-BE1325-2	*	1-BE1325-25	*	1-BE1325-3	*
M 13 x 1,5	50	1-BE1315-1	*	1-BE1315-15	*	1-BE1315-2	*	1-BE1315-25	*	1-BE1315-3	*
	10	2-BE1315-1	20,08 €	2-BE1315-15	29,23 €	2-BE1315-2	36,92 €	2-BE1315-25	47,38 €	2-BE1315-3	56,40 €
M 14 x 1,0	50	1-B7228-1	9,83 €	1-B7228-15	14,45 €	1-B7228-2	16,77 €	1-B7228-25	20,85 €	1-B7228-3	24,34 €
	10	2-B7228-1	19,39 €	2-B7228-15	35,48 €	2-B7228-2	35,66 €	2-B7228-25	45,79 €	2-B7228-3	67,92 €
M 14 x 1,25	50	1-B7227-1	9,40 €	1-B7227-15	15,00 €	1-B7227-2	16,12 €	1-B7227-25	20,07 €	1-B7227-3	30,49 €
	10	2-B7227-1	25,91 €	2-B7227-15	33,21 €	2-B7227-2	43,87 €	2-B7227-25	55,87 €	2-B7227-3	71,55 €
M 14 x 1,5	50	1-B7226-1	11,97 €	1-B7226-15	15,18 €	1-B7226-2	19,85 €	1-B7226-25	24,06 €	1-B7226-3	30,86 €
	10	2-B7226-1	28,19 €	2-B7226-15	41,09 €	2-B7226-2	56,21 €	2-B7226-25	76,68 €	2-B7226-3	95,24 €
M 14 x 2,0	50	1-B7225-1	13,21 €	1-B7225-15	18,63 €	1-B7225-2	24,13 €	1-B7225-25	32,52 €	1-B7225-3	39,87 €
	10	2-B7225-1	32,63 €	2-B7225-15	45,53 €	2-B7225-2	60,90 €	2-B7225-25	81,30 €	2-B7225-3	96,09 €
M 15 x 1,5	50	1-B7235-1	14,43 €	1-B7235-15	20,28 €	1-B7235-2	26,09 €	1-B7235-25	34,03 €	1-B7235-3	38,26 €
	10	2-B7235-1	33,06 €	2-B7235-15	45,33 €	2-B7235-2	56,84 €	2-B7235-25	86,94 €	2-B7235-3	140,87 €
M 16 x 2,0	50	1-B7234-1	14,78 €	1-B7234-15	20,10 €	1-B7234-2	27,74 €	1-B7234-25	36,26 €	1-B7234-3	57,38 €
	10	2-B7234-1	20,19 €	2-B7234-15	41,93 €	2-B7234-2	49,90 €	2-B7234-25	52,51 €	2-B7234-3	56,70 €
M 18 x 1,5	25	1-B7238-1	26,85 €	1-B7238-15	36,33 €	1-B7238-2	48,97 €	1-B7238-25	73,89 €	1-B7238-3	89,10 €
	10	2-B7238-1	28,15 €	2-B7238-15	43,51 €	2-B7238-2	58,67 €	2-B7238-25	73,91 €	2-B7238-3	88,91 €
M 18 x 2,5	25	1-B7241-1	28,79 €	1-B7241-15	36,65 €	1-B7241-2	47,11 €	1-B7241-25	57,71 €	1-B7241-3	81,50 €
	10	2-B7241-1	29,64 €	2-B7241-15	41,81 €	2-B7241-2	57,36 €	2-B7241-25	91,25 €	2-B7241-3	110,00 €
M 20 x 2,0	25	1-B7240-1	35,27 €	1-B7240-15	45,93 €	1-B7240-2	71,39 €	1-B7240-25	95,99 €	1-B7240-3	113,83 €
	10	2-B7240-1	35,27 €	2-B7240-15	45,93 €	2-B7240-2	71,39 €	2-B7240-25	95,99 €	2-B7240-3	113,83 €

BaerCoil® Wire Thread Inserts - type: “free running” - material: stainless steel 304



DIN 8140 with reduced diameter for better installation / Tolerance ISO 2 (6H)

Diameter x Pitch	pack. unit	1,0 D 1,0 x Diameter		1,5 D 1,5 x Diameter		2,0 D 2,0 x Diameter		2,5 D 2,5 x Diameter		3,0 D 3,0 x Diameter	
		Item-No.:	Price per unit	Item-No.:	Price per unit	Item-No.:	Price per unit	Item-No.:	Price per unit	Item-No.:	Price per unit
M 22 x 2,0	25	1-B7243-1	43,96 €	1-B7243-15	72,48 €	1-B7243-2	100,32 €	1-B7243-25	124,99 €	1-B7243-3	152,88 €
M 22 x 1,5	25	1-B7244-1	40,69 €	1-B7244-15	54,95 €	1-B7244-2	60,75 €	1-B7244-25	82,13 €	1-B7244-3	98,91 €
M 22 x 2,5	25	1-B7242-1	52,46 €	1-B7242-15	76,95 €	1-B7242-2	94,84 €	1-B7242-25	119,86 €	1-B7242-3	172,18 €
M 24 x 1,5	25	1-B7247-1	46,90 €	1-B7247-15	81,35 €	1-B7247-2	97,07 €	1-B7247-25	127,20 €	1-B7247-3	142,08 €
M 24 x 2,0	25	1-B7246-1	46,56 €	1-B7246-15	82,83 €	1-B7246-2	90,42 €	1-B7246-25	143,08 €	1-B7246-3	165,28 €
M 24 x 3,0	25	1-B7245-1	72,37 €	1-B7245-15	106,47 €	1-B7245-2	128,55 €	1-B7245-25	179,72 €	1-B7245-3	265,72 €
M 26 x 1,5	5			1-B7349-15	18,70 €						
M 27 x 1,5	5			1-B7352-15	18,70 €						
M 27 x 2,0	5			1-B7351-15	18,70 €						
M 27 x 3,0	5	1-BE273-1	15,79 €	1-BE273-15	26,08 €	1-BE273-2	31,03 €				
M 28 x 1,5	5	1-B7353-1		1-B7353-15	55,07 €						
M 30 x 1,5	5	1-B7356-1	56,31 €	1-B7356-15	66,52 €						
M 30 x 2,0	5	1-B7355-1	50,33 €	1-B7355-15	24,92 €						
M 30 x 3,5	5	1-B7354-1	40,25 €	1-B7354-15	48,67 €	1-B7354-2	63,94 €				
M 33 x 2,0	5	1-B7358-1	52,00 €	1-B7358-15	66,19 €						
M 33 x 3,5	5	1-B7357-1	59,83 €	1-B7357-15	73,54 €	1-B7357-2	83,06 €				
M 36 x 1,5	5			1-B7363-15	85,00 €						
M 36 x 2,0	5			1-B7362-15	77,61 €						
M 36 x 3,0	5			1-B7361-15	92,39 €						
M 36 x 4,0	5	1-BE364-1	31,92 €	1-BE364-15	52,06 €	1-BE364-2	66,28 €				
M 39 x 2,0	5			1-BE392-15	188,48 €						
M 39 x 4,0	5			1-BE394-15	116,78 €						
M 42 x 2,0	5			1-BE422-15	315,33 €						
M 42 x 3,0	5			1-BE423-15	331,10 €						
M 42 x 4,0	5			1-BE424-15	315,33 €						

For Spark Plug

Diameter x Pitch	pack. unit	8,4 mm		12,4 mm		16,4 mm	
		Item-No.:	Price per unit	Item-No.:	Price per unit	Item-No.:	Price per unit
M 14 x 1,25	50	1-B7128	22,79 €	1-B7228	29,15 €	1-B7328	35,18 €
	10	2-B7128	10,57 €	2-B7228	12,86 €	2-B7328	15,79 €
		12,7 mm		15,9 mm		16,7 mm	
M 18 x 1,5	10	1-B7238-127	8,07 €	1-B7238-159	13,23 €	1-B7238-167	16,52 €

BaerCoil® Wire Thread Inserts on strip feed type: “free running” - material: stainless steel 304



BaerCoil® Wire Thread Inserts on strip feed are especially used in the bulk production to speed up the inserting process.

Diameter x Pitch	1,0 D 1,0 x Diameter		1,5 D 1,5 x Diameter		2,0 D 2,0 x Diameter	
	Item-No.:	Item-No.:	Item-No.:	Item-No.:	Item-No.:	Item-No.:
M 3 x 0,5	B7205-1MAG	B7205-15MAG	B7205-2MAG			
M 4 x 0,7	B7207-1MAG	B7207-15MAG	B7207-2MAG			
M 5 x 0,8	B7208-1MAG	B7208-15MAG	B7208-2MAG			
M 6 x 1,0	B7209-1MAG	B7209-15MAG	B7209-2MAG			
M 8 x 1,25	B7211-1MAG	B7211-15MAG	B7211-2MAG			
M 10 x 1,5	B7215-1MAG	B7215-15MAG	B7215-2MAG			

Please inquire prices, quantities and other dimensions.



UNC

Diameter x Threads per inch	pack. unit	1,0 D 1,0 x Diameter		1,5 D 1,5 x Diameter		2,0 D 2,0 x Diameter		2,5 D 2,5 x Diameter		3,0 D 3,0 x Diameter	
		Item-No.:	Price per unit	Item-No.:	Price per unit	Item-No.:	Price per unit	Item-No.:	Price per unit	Item-No.:	Price per unit
UNC 2 x 56	100	1-B8200-1	32,44 €	1-B8200-15	27,80 €	1-B8200-2	28,34 €	1-B8200-25	40,38 €	1-B8200-3	55,96 €
UNC 3 x 48	100	1-B8213-1	30,32 €	1-B8213-15	32,78 €	1-B8213-2	33,97 €	1-B8213-25	45,78 €	1-B8213-3	101,28 €
UNC 4 x 40	100	1-B8201-1	31,72 €	1-B8201-15	32,52 €	1-B8201-2	34,68 €	1-B8201-25	45,78 €	1-B8201-3	52,95 €
UNC 5 x 40	100	1-B8202-1	36,32 €	1-B8202-15	40,09 €	1-B8202-2	46,24 €	1-B8202-25	55,94 €	1-B8202-3	91,00 €
UNC 6 x 32	100	1-B8203-1	20,91 €	1-B8203-15	22,45 €	1-B8203-2	23,48 €	1-B8203-25	28,13 €	1-B8203-3	51,85 €
UNC 8 x 32	100	1-B8204-1	17,52 €	1-B8204-15	18,75 €	1-B8204-2	19,44 €	1-B8204-25	23,49 €	1-B8204-3	55,16 €
UNC 10 x 24	100	1-B8205-1	19,61 €	1-B8205-15	20,56 €	1-B8205-2	24,35 €	1-B8205-25	25,96 €	1-B8205-3	71,70 €
UNC 12 x 24	100	1-B8206-1	27,62 €	1-B8206-15	23,49 €	1-B8206-2	32,82 €	1-B8206-25	39,38 €	1-B8206-3	103,14 €
UNC 1/4 x 20	100	1-B8207-1	20,18 €	1-B8207-15	23,48 €	1-B8207-2	27,25 €	1-B8207-25	31,72 €	1-B8207-3	71,70 €
UNC 5/16 x 18	100	1-B8208-1	26,55 €	1-B8208-15	32,34 €	1-B8208-2	39,99 €	1-B8208-25	52,17 €	1-B8208-3	104,80 €
UNC 3/8 x 16	100	1-B8209-1	40,55 €	1-B8209-15	42,84 €	1-B8209-2	55,35 €	1-B8209-25	70,52 €	1-B8209-3	155,21 €
UNC 7/16 x 14	100	1-B8210-1	52,16 €	1-B8210-15	57,41 €	1-B8210-2	71,79 €	1-B8210-25	123,95 €	1-B8210-3	165,47 €
UNC 1/2 x 13	100	1-B8211-1	64,33 €	1-B8211-15	71,39 €	1-B8211-2	103,38 €	1-B8211-25	142,88 €	1-B8211-3	193,05 €
UNC 9/16 x 12	50	1-B8212-1	44,50 €	1-B8212-15	50,17 €	1-B8212-2	89,66 €	1-B8212-25	159,03 €	1-B8212-3	191,50 €
UNC 5/8 x 11	50	1-B8214-1	44,11 €	1-B8214-15	63,51 €	1-B8214-2	115,64 €	1-B8214-25	158,03 €	1-B8214-3	187,81 €
UNC 3/4 x 10	25	1-B8215-1	39,92 €	1-B8215-15	57,57 €	1-B8215-2	77,87 €	1-B8215-25	97,56 €	1-B8215-3	121,35 €
UNC 7/8 x 9	10	1-B8218-1	29,24 €	1-B8218-15	42,70 €	1-B8218-2	68,94 €	1-B8218-25	73,27 €	1-B8218-3	90,51 €
UNC 1" x 8	10	1-B8219-1	63,91 €	1-B8219-15	66,58 €	1-B8219-2	92,63 €	1-B8219-25	110,87 €	1-B8219-3	125,20 €
UNC 1.1/8" x 7	5			1-B8320-15	53,78 €						
UNC 1.1/4" x 7	5			1-B8321-15	56,54 €						
UNC 1.3/8" x 6	5			1-B8322-15	91,00 €						
UNC 1.1/2" x 6	5			1-B8323-15	114,18 €						

UNF

Diameter x Threads per inch	pack. unit	1,0 D 1,0 x Diameter		1,5 D 1,5 x Diameter		2,0 D 2,0 x Diameter		2,5 D 2,5 x Diameter		3,0 D 3,0 x Diameter	
		Item-No.:	Price per unit	Item-No.:	Price per unit	Item-No.:	Price per unit	Item-No.:	Price per unit	Item-No.:	Price per unit
UNF 2 x 64	100	1-B8287-1	107,51 €	1-B8287-15	116,83 €	1-B8287-2	122,48 €	1-B8287-25	270,42 €	1-B8287-3	298,15 €
UNF 3 x 56	100	1-B8288-1	35,81 €	1-B8288-15	38,94 €	1-B8288-2	41,93 €	1-B8288-25	52,95 €	1-B8288-3	149,09 €
UNF 4 x 48	100	1-B8290-1	32,11 €	1-B8290-15	35,19 €	1-B8290-2	36,19 €	1-B8290-25	43,48 €	1-B8290-3	99,28 €
UNF 5 x 44	100	1-B8289-1	64,50 €	1-B8289-15	35,04 €	1-B8289-2	162,50 €	1-B8289-25	270,42 €	1-B8289-3	298,15 €
UNF 6 x 40	100	1-B8291-1	29,98 €	1-B8291-15	32,84 €	1-B8291-2	33,77 €	1-B8291-25	40,61 €	1-B8291-3	63,56 €
UNF 8 x 36	100	1-B8292-1	29,98 €	1-B8292-15	32,84 €	1-B8292-2	33,77 €	1-B8292-25	40,61 €	1-B8292-3	105,90 €
UNF 10 x 32	100	1-B8293-1	19,61 €	1-B8293-15	20,50 €	1-B8293-2	22,99 €	1-B8293-25	29,62 €	1-B8293-3	49,64 €
UNF 1/4 x 28	100	1-B8225-1	26,58 €	1-B8225-15	23,48 €	1-B8225-2	26,53 €	1-B8225-25	42,41 €	1-B8225-3	71,70 €
UNF 5/16 x 24	100	1-B8226-1	28,13 €	1-B8226-15	32,26 €	1-B8226-2	37,35 €	1-B8226-25	56,00 €	1-B8226-3	74,18 €
UNF 3/8 x 24	100	1-B8227-1	39,03 €	1-B8227-15	44,26 €	1-B8227-2	51,52 €	1-B8227-25	65,18 €	1-B8227-3	137,90 €
UNF 7/16 x 20	100	1-B8228-1	44,25 €	1-B8228-15	50,48 €	1-B8228-2	62,87 €	1-B8228-25	77,14 €	1-B8228-3	148,92 €
UNF 1/2 x 20	100	1-B8229-1	46,13 €	1-B8229-15	54,65 €	1-B8229-2	62,87 €	1-B8229-25	77,15 €	1-B8229-3	154,43 €
UNF 9/16 x 18	50	1-B8230-1	49,15 €	1-B8230-15	45,63 €	1-B8230-2	69,38 €	1-B8230-25	79,47 €	1-B8230-3	165,47 €
UNF 5/8 x 18	10	1-B8231-1	57,83 €	1-B8231-15	55,52 €	1-B8231-2	74,47 €	1-B8231-25	87,63 €	1-B8231-3	165,47 €
UNF 3/4 x 16	25	1-B8233-1	43,43 €	1-B8233-15	59,85 €	1-B8233-2	63,98 €	1-B8233-25	99,90 €	1-B8233-3	124,10 €
UNF 7/8 x 14	10	1-B8235-1	30,27 €	1-B8235-15	37,22 €	1-B8235-2	63,98 €	1-B8235-25	68,51 €	1-B8235-3	95,97 €
UNF 1" x 12	10	1-B8237-1	47,44 €	1-B8237-15	56,10 €	1-B8237-2	76,20 €	1-B8237-25	101,25 €	1-B8237-3	110,31 €
UNF 1.1/8" x 12	5			1-B8238-15	79,98 €						
UNF 1.1/4" x 12	5			1-B8239-15	81,08 €						
UNF 1.3/8" x 12	5			1-B8240-15	196,91 €						
UNF 1.1/2" x 12	5			1-B8236-15	204,08 €						

BaerCoil® Wire Thread Inserts - type: "free running" - material: stainless steel 304



BSW



Diameter x Threads per inch	pack. unit	1,0 D 1,0 x Diameter		1,5 D 1,5 x Diameter		2,0 D 2,0 x Diameter		2,5 D 2,5 x Diameter		3,0 D 3,0 x Diameter	
		Item-No.:	Price per unit	Item-No.:	Price per unit	Item-No.:	Price per unit	Item-No.:	Price per unit	Item-No.:	Price per unit
BSW 1/8 x 40	100	1-B8241-1	58,26 €	1-B8241-15	57,46 €	1-B8241-2	69,34 €	1-B8241-25	92,23 €	1-B8241-3	103,93 €
BSW 3/16 x 24	100	1-B8242-1	46,60 €	1-B8242-15	57,46 €	1-B8242-2	57,79 €	1-B8242-25	63,41 €	1-B8242-3	69,29 €
BSW 1/4 x 20	100	1-B8243-1	55,16 €	1-B8243-15	55,16 €	1-B8243-2	60,67 €	1-B8243-25	71,70 €	1-B8243-3	88,25 €
BSW 5/16 x 18	100	1-B8244-1	60,67 €	1-B8244-15	71,70 €	1-B8244-2	77,22 €	1-B8244-25	104,80 €	1-B8244-3	126,86 €
BSW 3/8 x 16	100	1-B8245-1	60,67 €	1-B8245-15	71,70 €	1-B8245-2	77,22 €	1-B8245-25	104,80 €	1-B8245-3	126,86 €
BSW 7/16 x 14	100	1-B8246-1	132,37 €	1-B8246-15	137,90 €	1-B8246-2	137,90 €	1-B8246-25	170,98 €	1-B8246-3	198,57 €
BSW 1/2 x 12	100	1-B8247-1	176,51 €	1-B8247-15	187,53 €	1-B8247-2	198,57 €	1-B8247-25	220,63 €	1-B8247-3	226,14 €
BSW 9/16 x 12	50	1-B8248-1	92,45 €	1-B8248-15	101,13 €	1-B8248-2	107,02 €	1-B8248-25	121,20 €	1-B8248-3	132,90 €
BSW 5/8 x 11	50	1-B8249-1	93,77 €	1-B8249-15	104,01 €	1-B8249-2	127,27 €	1-B8249-25	158,71 €	1-B8249-3	196,46 €
BSW 3/4 x 10	25	1-B8251-1	55,16 €	1-B8251-15	71,70 €	1-B8251-2	85,49 €	1-B8251-25	107,55 €	1-B8251-3	133,76 €
BSW 7/8 x 9	10	1-B8253-1	45,78 €	1-B8253-15	46,88 €	1-B8253-2	76,11 €	1-B8253-25	80,52 €	1-B8253-3	86,05 €
BSW 1" x 8	10	1-B8255-1	65,09 €	1-B8255-15	83,29 €	1-B8255-2	112,52 €	1-B8255-25	119,13 €	1-B8255-3	130,17 €
BSW 1.1/8" x 7	10	1-B8256-1	86,68 €	1-B8256-15	104,58 €	1-B8256-2	142,14 €				
BSW 1.1/4" x 7	10	1-B8257-1	97,66 €	1-B8257-15	128,28 €	1-B8257-2	171,03 €				
BSW 1.3/8" x 6	10			1-B8258-15	346,70 €						
BSW 1.1/2" x 6	10	1-B8259-1	187,80 €	1-B8259-15	264,06 €	1-B8259-2	320,12 €				

BSF

Diameter x Threads per inch	pack. unit	1,0 D 1,0 x Diameter		1,5 D 1,5 x Diameter		2,0 D 2,0 x Diameter		2,5 D 2,5 x Diameter		3,0 D 3,0 x Diameter	
		Item-No.:	Price per unit	Item-No.:	Price per unit	Item-No.:	Price per unit	Item-No.:	Price per unit	Item-No.:	Price per unit
BSF 3/16 x 32	100	1-B8262-1	76,11 €	1-B8262-15	79,42 €	1-B8262-2	90,15 €	1-B8262-25	103,76 €	1-B8262-3	114,32 €
BSF 1/4 x 26	100	1-B8263-1	93,77 €	1-B8263-15	104,80 €	1-B8263-2	110,31 €	1-B8263-25	121,35 €	1-B8263-3	132,37 €
BSF 5/16 x 22	100	1-B8265-1	104,80 €	1-B8265-15	115,83 €	1-B8265-2	121,35 €	1-B8265-25	132,37 €	1-B8265-3	193,05 €
BSF 3/8 x 20	100	1-B8266-1	137,90 €	1-B8266-15	154,43 €	1-B8266-2	159,96 €	1-B8266-25	176,51 €	1-B8266-3	251,52 €
BSF 7/16 x 18	100	1-B8267-1	237,17 €	1-B8267-15	264,75 €	1-B8267-2	275,78 €	1-B8267-25	251,52 €	1-B8267-3	301,15 €
BSF 1/2 x 16	100	1-B8268-1	275,78 €	1-B8268-15	303,37 €	1-B8268-2	314,39 €	1-B8268-25	364,04 €	1-B8268-3	450,07 €
BSF 9/16 x 16	100	1-B8269-1	314,39 €	1-B8269-15	358,52 €	1-B8269-2	375,06 €	1-B8269-25	526,20 €	1-B8269-3	612,23 €
BSF 5/8 x 14	50	1-B8270-1	182,02 €	1-B8270-15	209,59 €	1-B8270-2	217,86 €	1-B8270-25	395,47 €	1-B8270-3	458,35 €
BSF 3/4 x 12	50	1-B8272-1	237,17 €	1-B8272-15	262,00 €	1-B8272-2	339,21 €	1-B8272-25	676,77 €	1-B8272-3	777,70 €
BSF 7/8 x 11	25	1-B8274-1	122,72 €	1-B8274-15	131,00 €	1-B8274-2	169,61 €	1-B8274-25	456,70 €	1-B8274-3	531,98 €
BSF 1" x 10	10	1-B8276-1	60,67 €	1-B8276-15	72,25 €	1-B8276-2	78,32 €	1-B8276-25	237,28 €	1-B8276-3	273,02 €
BSF 1.1/8" x 9	10	1-B8277-1	91,30 €	1-B8277-15	109,79 €						
BSF 1.1/4" x 9	10	1-B8278-1	109,20 €	1-B8278-15	131,75 €						
BSF 1.1/2" x 8	10			1-B8279-15	157,75 €	1-B8279-2	165,84 €				

G (BSP)

Diameter x Threads per inch	pack. unit	1,0 D 1,0 x Diameter		1,5 D 1,5 x Diameter		2,0 D 2,0 x Diameter		2,5 D 2,5 x Diameter		3,0 D 3,0 x Diameter	
		Item-No.:	Price per unit	Item-No.:	Price per unit	Item-No.:	Price per unit	Item-No.:	Price per unit	Item-No.:	Price per unit
G 1/8 x 28	100	1-B8380-1	86,68 €	1-B8380-15	38,52 €	1-B8380-2	43,06 €	1-B8380-25	104,01 €	1-B8380-3	109,79 €
G 1/4 x 19	100	1-B8381-1	115,56 €	1-B8381-15	48,89 €	1-B8381-2	64,58 €	1-B8381-25	138,67 €	1-B8381-3	150,24 €
G 3/8 x 19	50	1-B8382-1	117,39 €	1-B8382-15	42,18 €	1-B8382-2	52,85 €	1-B8382-25	121,35 €	1-B8382-3	127,13 €
G 1/2 x 14	25	1-B8383-1	114,33 €	1-B8383-15	36,79 €	1-B8383-2	52,30 €	1-B8383-25	117,02 €	1-B8383-3	121,35 €
G 5/8 x 14	10	1-B8384-1	34,68 €	1-B8384-15	24,63 €	1-B8384-2	32,34 €	1-B8384-25	46,81 €		
G 3/4 x 14	5	1-B8385-1	18,49 €	1-B8385-15	14,45 €	1-B8385-2	20,48 €	1-B8385-25	26,58 €		
G 7/8 x 14	5	1-B8386-1	18,78 €	1-B8386-15	18,28 €	1-B8386-2	25,53 €				
G 1" x 11	5	1-B8387-1	26,58 €	1-B8387-15	34,16 €	1-B8387-2	45,34 €				

G (BSP)

Diameter x Threads per inch	pack. unit	1,0 D 1,0 x Diameter		1,5 D 1,5 x Diameter		2,0 D 2,0 x Diameter		2,5 D 2,5 x Diameter		3,0 D 3,0 x Diameter	
		Item-No.:	Price per unit	Item-No.:	Price per unit	Item-No.:	Price per unit	Item-No.:	Price per unit	Item-No.:	Price per unit
BA 0	100	1-B6370-1	145,62 €	1-B6370-15	176,82 €	1-B6370-2	242,69 €	1-B6370-25	350,17 €	1-B6370-3	416,04 €
BA 1	100	1-B6371-1	100,54 €	1-B6371-15	107,49 €	1-B6371-2	114,41 €	1-B6371-25	135,22 €	1-B6371-3	152,54 €
BA 2	100	1-B6372-1	100,54 €	1-B6372-15	107,49 €	1-B6372-2	114,41 €	1-B6372-25	135,22 €	1-B6372-3	152,54 €
BA 3	100			1-B6373-15	260,03 €						
BA 4	100	1-B6374-1	100,54 €	1-B6374-15	107,49 €	1-B6374-2	114,41 €	1-B6374-25	142,14 €	1-B6374-3	162,95 €
BA 6	100	1-B6376-1	114,41 €	1-B6376-15	131,75 €	1-B6376-2	159,48 €	1-B6376-25	225,35 €	1-B6376-3	266,95 €

BaerCoil®

Wire Thread Inserts **special materials** and **aerospace industry standards**

BaerCoil® Wire Thread Inserts - type: "free running" - material:

bronze CuSn6

DIN 8140 with reduced diameter for better installation / Tolerance ISO 2 (6H)

M



Diameter x Pitch	pack. unit	1,0 D 1,0 x Diameter		1,5 D 1,5 x Diameter		2,0 D 2,0 x Diameter	
		Item-No.:	Price per unit	Item-No.:	Price per unit	Item-No.:	Price per unit
M 3 x 0,5	100	1-B7205-1B	39,83 €	1-B7205-15B	41,64 €	1-B7205-2B	48,85 €
M 4 x 0,7	100	1-B7207-1B	37,12 €	1-B7207-15B	38,49 €	1-B7207-2B	43,49 €
M 5 x 0,8	100	1-B7208-1B	41,64 €	1-B7208-15B	43,06 €	1-B7208-2B	44,38 €
M 6 x 1,0	100	1-B7209-1B	45,45 €	1-B7209-15B	48,70 €	1-B7209-2B	51,50 €
M 8 x 1,25	100	1-B7211-1B	45,32 €	1-B7211-15B	48,90 €	1-B7211-2B	54,39 €
M 10 x 1,5	100	1-B7215-1B	49,09 €	1-B7215-15B	52,36 €	1-B7215-2B	72,45 €
M 12 x 1,75	100	1-B7221-1B	91,10 €	1-B7221-15B	96,60 €	1-B7221-2B	103,35 €
M 16 x 2,0	100	1-B7234-1B	174,32 €	1-B7234-15B	180,11 €	1-B7234-2B	225,92 €
M 20 x 2,5	100	1-B7239-1B	559,20 €	1-B7239-15B	653,10 €	1-B7239-2B	818,13 €

BaerCoil® Wire Thread Inserts - type: "free running" - material:

stainless steel 316

DIN 8140 with reduced diameter for better installation / Tolerance ISO 2 (6H)

M



Diameter x Pitch	pack. unit	1,0 D 1,0 x Diameter		1,5 D 1,5 x Diameter		2,0 D 2,0 x Diameter	
		Item-No.:	Price per unit	Item-No.:	Price per unit	Item-No.:	Price per unit
M 3 x 0,5	100	1-B7205-1V4A	33,60 €	1-B7205-15V4A	36,52 €	1-B7205-2V4A	37,99 €
M 4 x 0,7	100	1-B7207-1V4A	29,23 €	1-B7207-15V4A	31,55 €	1-B7207-2V4A	32,91 €
M 5 x 0,8	100	1-B7208-1V4A	36,52 €	1-B7208-15V4A	38,74 €	1-B7208-2V4A	40,91 €
M 6 x 1,0	100	1-B7209-1V4A	38,74 €	1-B7209-15V4A	43,83 €	1-B7209-2V4A	49,68 €
M 8 x 1,25	100	1-B7211-1V4A	42,37 €	1-B7211-15V4A	48,21 €	1-B7211-2V4A	56,98 €
M 10 x 1,5	100	1-B7215-1V4A	52,60 €	1-B7215-15V4A	58,45 €	1-B7215-2V4A	65,75 €
M 12 x 1,75	100	1-B7221-1V4A	80,35 €	1-B7221-15V4A	89,89 €	1-B7221-2V4A	99,35 €

BaerCoil® Wire Thread Inserts - type: "free running" - material:

Inconel X750

DIN 8140 with reduced diameter for better installation / Tolerance ISO 2 (6H)

M



Diameter x Pitch	pack. unit	1,0 D 1,0 x Diameter		1,5 D 1,5 x Diameter		2,0 D 2,0 x Diameter	
		Item-No.:	Price per unit	Item-No.:	Price per unit	Item-No.:	Price per unit
M 3 x 0,5	100	1-B7205-1X750	118,40 €	1-B7205-15X750	120,50 €	1-B7205-2X750	146,70 €
M 4 x 0,7	100	1-B7207-1X750	75,00 €	1-B7207-15X750	100,00 €	1-B7207-2X750	143,75 €
M 5 x 0,8	100	1-B7208-1X750	123,59 €	1-B7208-15X750	179,16 €	1-B7208-2X750	235,46 €
M 6 x 1,0	100	1-B7209-1X750	137,59 €	1-B7209-15X750	198,67 €	1-B7209-2X750	261,15 €
M 8 x 1,25	100	1-B7211-1X750	190,94 €	1-B7211-15X750	280,10 €	1-B7211-2X750	373,46 €
M 10 x 1,5	100	1-B7215-1X750	276,50 €	1-B7215-15X750	409,03 €	1-B7215-2X750	542,91 €
M 12 x 1,75	100	1-B7221-1X750	354,97 €	1-B7221-15X750	527,07 €	1-B7221-2X750	697,97 €
M 16 x 2,0	100	1-B7234-1X750	468,00 €	1-B7234-15X750	562,00 €	1-B7234-2X750	572,00 €

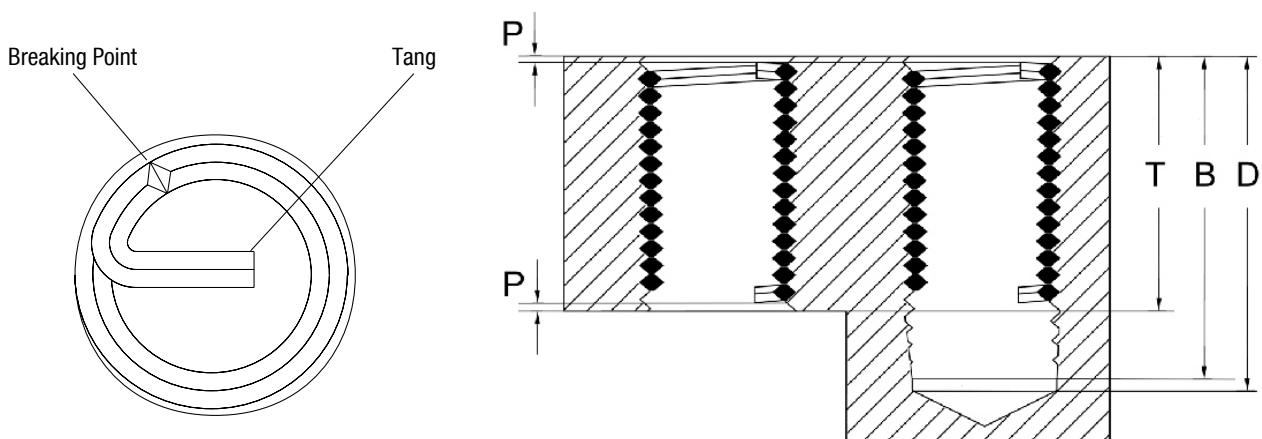
BaerCoil® Metric Wire Thread Inserts for aerospace industry
type: „LN 9039“ - free running - material: stainless steel 304
 delivery time & prices on request

LN stand. = Item-No	LN stand. = Item-No	LN stand. = Item-No	LN stand. = Item-No	LN stand. = Item-No	LN stand. = Item-No
LN9039-00025	LN9039-04120	LN9039-08200	LN9039-12360	LN9039-16480	LN9039-20540
LN9039-00037	LN9039-04150	LN9039-09100	LN9039-13120	LN9039-17160	LN9039-21200
LN9039-00050	LN9039-04180	LN9039-09150	LN9039-13180	LN9039-17240	LN9039-21300
LN9039-01030	LN9039-05070	LN9039-09200	LN9039-13240	LN9039-17320	LN9039-21400
LN9039-01045	LN9039-05105	LN9039-10100	LN9039-14140	LN9039-18180	LN9039-22200
LN9039-01060	LN9039-05140	LN9039-10150	LN9039-14210	LN9039-18270	LN9039-22300
LN9039-02040	LN9039-06080	LN9039-10200	LN9039-14280	LN9039-18360	LN9039-22400
LN9039-02060	LN9039-06120	LN9039-10250	LN9039-14350	LN9039-18450	LN9039-23200
LN9039-02080	LN9039-06160	LN9039-10300	LN9039-14420	LN9039-18540	LN9039-23300
LN9039-03050	LN9039-07080	LN9039-11120	LN9039-15140	LN9039-19180	LN9039-23400
LN9039-03075	LN9039-07120	LN9039-11180	LN9039-15210	LN9039-19270	LN9499-23300
LN9039-03100	LN9039-07160	LN9039-11240	LN9039-15280	LN9039-19360	LN9499-23400
LN9039-03125	LN9039-07200	LN9039-12120	LN9039-16160	LN9039-20180	
LN9039-03150	LN9039-07240	LN9039-12180	LN9039-16240	LN9039-20270	
LN9039-04060	LN9039-08100	LN9039-12240	LN9039-16320	LN9039-20360	
LN9039-04090	LN9039-08150	LN9039-12300	LN9039-16400	LN9039-20450	

Technical Data for BaerCoil® Wire Thread Inserts

DIN 8140 with reduced diameter for better installation

M	1,0 D			1,5 D			2,0 D			2,5 D			3,0 D			F (mm)	
	T	D	B	T	D	B	T	D	B	T	D	B	T	D	B	min.	max.
M 2 x 0.4	2.00	3.80	3.40	3.00	4.80	4.40	4.00	5.80	5.40	5.00	6.80	6.40	6.00	7.80	7.40	2.48	2.70
M 2.2 x 0.45	2.20	4.23	3.78	3.30	5.33	4.88	4.40	6.43	5.98	5.50	7.53	7.08	6.60	8.63	8.18		
M 2.5 x 0.45	2.50	4.52	4.07	3.75	5.78	5.33	5.00	7.03	6.58	6.25	8.28	7.83	7.50	9.53	9.08	3.04	3.70
M 3 x 0.5	3.00	5.25	4.75	4.50	6.75	6.25	6.00	8.25	7.75	7.50	9.75	9.25	9.00	11.25	10.75	3.60	4.35
M 3.5 x 0.6	3.50	6.20	5.60	5.25	7.95	7.35	7.00	9.70	9.10	8.75	11.45	10.85	10.50	13.20	12.60	4.22	4.95
M 4 x 0.7	4.00	7.15	6.45	6.00	9.15	8.45	8.00	11.15	10.45	10.00	13.15	12.45	12.00	15.15	14.45	4.83	5.60
M 4.5 x 0.75	4.50	7.88	7.13	6.75	10.13	9.38	9.00	12.38	11.63	11.25	14.63	13.88	13.50	16.88	16.13		
M 5 x 0.8	5.00	8.60	7.80	7.50	11.10	10.30	10.00	13.60	12.80	12.50	16.10	15.30	15.00	18.60	17.80	5.94	6.80
M 6 x 1.0	6.00	10.50	9.50	9.00	13.50	12.50	12.00	16.50	15.50	15.00	19.50	18.50	18.00	22.50	21.50	7.17	7.95
M 7 x 1.0	7.00	11.50	10.50	10.50	15.00	14.00	14.00	18.50	17.50	17.50	22.00	21.00	21.00	25.50	24.50	8.17	9.20
M 8 x 1.0	8.00	12.50	11.50	12.00	16.50	15.50	16.00	20.50	19.50	20.00	24.50	23.50	24.00	28.50	27.50	9.17	10.25
M 8 x 1.25	8.00	13.63	12.38	12.00	17.63	16.38	16.00	21.63	20.38	20.00	25.63	24.38	24.00	29.63	28.38	9.45	10.35
M 9 x 1.0	9.00	13.50	12.50	13.50	18.00	17.00	18.00	22.50	21.50	22.50	27.00	26.00	27.00	31.50	30.50	10.17	11.23
M 9 x 1.25	9.00	14.63	13.38	13.50	19.13	17.88	18.00	23.63	22.38	22.50	28.13	26.88	27.00	32.63	31.38	10.45	11.16
M 10 x 1.0	10.00	14.50	13.50	15.00	19.50	18.50	20.00	24.50	23.50	25.00	29.50	28.50	30.00	34.50	33.50	11.17	12.50
M 10 x 1.25	10.00	15.63	14.38	15.00	20.63	19.38	20.00	25.63	24.38	25.00	30.63	29.38	30.00	35.63	34.38	11.45	12.65
M 10 x 1.5	10.00	16.75	15.25	15.00	21.75	20.25	20.00	26.75	25.25	25.00	31.75	30.25	30.00	36.75	35.25	11.74	12.50
M 11 x 1.25	11.00	16.62	15.37	16.50	22.12	20.87	22.00	27.62	26.37	27.50	33.12	31.87	33.00	38.62	37.37	12.47	13.76
M 11 x 1.5	11.00	17.75	16.25	16.50	23.25	21.75	22.00	28.75	27.25	27.50	34.25	32.75	33.00	39.75	38.25	12.74	13.59
M 12 x 1.25	12.00	17.63	16.38	18.00	23.63	22.38	24.00	29.63	27.38	30.00	35.63	34.38	36.00	41.63	40.38	13.47	15.00
M 12 x 1.5	12.00	18.75	17.25	18.00	24.00	23.25	24.00	30.75	29.25	30.00	36.75	35.25	36.00	42.75	41.25	13.75	15.20
M 12 x 1.75	12.00	19.88	18.13	18.00	25.88	24.13	24.00	31.88	30.13	30.00	37.88	36.13	36.00	43.88	42.13	14.03	15.00
M 14 x 1.25	14.00	19.62	18.37	21.00	26.62	25.37	28.00	33.62	32.37	35.00	40.62	39.37	42.00	47.62	46.37	15.47	17.03
M 14 x 1.5	14.00	20.75	19.25	21.00	27.75	26.25	28.00	34.75	33.25	35.00	41.75	40.25	42.00	48.75	47.25	15.75	17.25
M 14 x 2.0	14.00	23.00	21.00	21.00	30.00	28.00	28.00	37.00	35.00	35.00	44.00	42.00	42.00	51.00	49.00	16.31	17.35
M 16 x 1.5	16.00	22.75	21.25	24.00	30.75	29.25	32.00	38.75	37.25	40.00	46.75	45.25	48.00	54.75	53.25	17.75	19.60
M 16 x 2.0	16.00	25.00	23.00	24.00	33.00	31.00	32.00	41.00	39.00	40.00	49.00	47.00	48.00	57.00	55.00	18.31	19.60
M 18 x 1.5	18.00	24.75	23.25	27.00	33.75	32.25	36.00	42.75	41.25	45.00	51.75	50.25	54.00	60.75	59.25	19.75	21.85
M 18 x 2.0	18.00	27.00	25.00	27.00	36.00	34.00	36.00	45.00	43.00	45.00	54.00	52.00	54.00	63.00	61.00	20.31	21.85
M 18 x 2.5	18.00	29.25	26.75	27.00	38.25	35.75	36.00	47.25	44.75	45.00	56.25	53.75	54.00	65.25	62.75	20.86	22.00



- P** Installed insert 1/4 – 1/2 pitch below the surface
- T** Length of Insert, when installed
- B** Tap depth – including threads chamfer of plug tap
- D** Drill depth (min.) - excluding point
- F** Free coil diameter

Technical Data for BaerCoil® Wire Thread Inserts

M	1,0 D			1,5 D			2,0 D			2,5 D			3,0 D			F (mm)	
	T	D	B	T	D	B	T	D	B	T	D	B	T	D	B	min.	max.
M 20 x 1.5	20.00	26.75	25.25	30.00	36.75	35.25	40.00	46.75	45.25	50.00	56.75	55.25	60.00	66.75	65.25	21.75	24.00
M 20 x 2.0	20.00	29.00	27.00	30.00	39.00	37.00	40.00	49.00	47.00	50.00	59.00	57.00	60.00	69.00	67.00	22.31	24.05
M 20 x 2.5	20.00	31.25	28.75	30.00	41.25	38.75	40.00	51.25	48.75	50.00	61.25	58.75	60.00	71.25	68.75	22.86	24.40
M 22 x 1.5	22.00	28.75	27.25	33.00	39.75	38.25	44.00	50.75	49.25	55.00	61.75	60.25	66.00	72.75	71.25	23.75	26.45
M 22 x 2.0	22.00	31.00	29.00	33.00	42.00	40.00	44.00	53.00	51.00	55.00	64.00	62.00	66.00	75.00	73.00	24.31	26.50
M 22 x 2.5	22.00	33.25	30.75	33.00	44.25	41.75	44.00	55.25	52.75	55.00	66.25	63.75	66.00	77.25	74.75	24.86	26.90
M 24 x 2.0	24.00	33.00	31.00	36.00	45.00	43.00	48.00	57.00	55.00	60.00	69.00	67.00	72.00	81.00	79.00	26.32	29.10
M 24 x 3.0	24.00	37.50	34.50	36.00	49.50	46.50	48.00	61.50	58.50	60.00	73.50	70.50	72.00	85.50	82.50	27.43	29.00
M 27 x 2.0	27.00	36.00	34.00	40.50	49.50	47.50	54.00	63.00	61.00	67.50	76.50	74.50	81.00	90.00	88.00	29.32	32.30
M 27 x 3.0	27.00	40.50	37.50	40.50	54.00	51.00	54.00	67.50	64.50	67.50	81.00	78.00	81.00	94.50	91.50	30.43	32.40
M 30 x 3.0	30.00	43.50	40.50	45.00	58.50	55.50	60.00	73.50	70.50	75.00	88.50	85.50	90.00	103.50	100.50	33.43	36.10
M 30 x 3.5	30.00	45.75	42.25	45.00	60.75	57.25	60.00	75.75	72.25	75.00	90.75	87.25	90.00	105.75	102.25	33.99	35.81
M 33 x 3.5	33.00	48.75	45.25	49.50	65.25	61.75	66.00	81.75	78.25	82.50	98.25	94.75	99.00	114.75	111.25	36.99	38.80
M 36 x 3.0	36.00	49.50	46.50	54.00	67.50	64.50	72.00	85.50	82.50	90.00	103.50	100.50	108.00	121.50	118.50	39.43	42.70
M 36 x 4.0	36.00	54.00	50.00	54.00	72.00	68.00	72.00	90.00	86.00	90.00	108.00	104.00	108.00	126.00	122.00	40.54	42.67
M 39 x 4.0	39.00	57.00	53.00	58.50	76.50	72.50	78.00	96.00	92.00	97.50	115.50	111.50	117.00	135.00	131.00	43.54	45.75
M 42 x 3.0	42.00	55.50	52.50	63.00	76.50	73.50	84.00	97.50	94.50	105.00	118.50	115.50	126.00	139.50	136.50	45.43	49.00
M 42 x 4.5	42.00	62.25	57.75	63.00	83.25	78.75	84.00	104.25	99.75	105.00	125.25	120.75	126.00	146.25	141.75	47.10	49.00

G (BSP)	1,0 D			1,5 D			2,0 D			2,5 D			3,0 D			F (mm)	
	T	D	B	T	D	B	T	D	B	T	D	B	T	D	B	min.	max.
1/8 x 28	0.125	0.287	0.251	0.187	0.349	0.313	0.250	0.412	0.376	0.312	0.474	0.438	0.375	0.537	0.501	0.426	0.472
1/4 x 19	0.250	0.488	0.435	0.375	0.613	0.560	0.500	0.738	0.685	0.625	0.863	0.810	0.750	0.988	0.935	0.582	0.637
3/8 x 19	0.375	0.613	0.560	0.562	0.800	0.747	0.750	0.988	0.935	0.937	1.175	1.122	1.125	1.363	1.310	0.720	0.787
1/2 x 14	0.500	0.820	0.749	0.750	1.070	0.999	1.000	1.320	1.249	1.250	1.570	1.499	1.500	1.821	1.749	0.911	0.992
5/8 x 14	0.625	0.945	0.874	0.937	1.257	1.186	1.250	1.570	1.499	1.562	1.882	1.811	1.875	2.195	2.124	0.988	1.078
3/4 x 14	0.750	1.070	0.999	1.125	1.445	1.374	1.500	1.820	1.749	1.875	2.195	2.124	2.250	2.570	2.499	1.127	1.228
7/8 x 14	0.875	1.195	1.124	1.312	1.632	1.561	1.750	2.070	1.999	2.187	2.507	2.436	2.625	2.945	2.874	1.275	1.389
1" x 11	1.000	1.410	1.319	1.500	1.910	1.819	2.000	2.410	2.319	2.500	2.910	2.819	3.000	3.410	3.319	1.416	1.543
1.1/4" x 11	1.250	1.660	1.569	1.875	2.285	2.194	2.500	2.910	2.819	3.125	3.535	3.440	3.750	4.160	4.069	1.759	1.909
1.1/2" x 11	1.506	1.910	1.819	2.250	2.660	2.569	3.000	3.410	3.319	3.750	4.160	4.069	4.500	4.910	4.819	1.991	2.161

BA	1,0 D			1,5 D			2,0 D			2,5 D			3,0 D			F (mm)	
	T	D	B	T	D	B	T	D	B	T	D	B	T	D	B	min.	max.
BA 0	0.236	0.413	0.374	0.354	0.531	0.492	0.472	0.649	0.610	0.591	0.768	0.729	0.709	0.886	0.847	0.280	0.309
BA 1	0.209	0.368	0.333	0.313	0.472	0.437	0.417	0.567	0.541	0.522	0.681	0.646	0.626	0.785	0.750	0.248	0.273
BA 2	0.185	0.329	0.297	0.278	0.422	0.390	0.370	0.514	0.482	0.463	0.607	0.575	0.555	0.699	0.667	0.220	0.243
BA 3	0.616	0.132	0.262	0.242	0.372	0.343	0.323	0.453	0.424	0.404	0.543	0.505	0.484	0.614	0.585	0.193	0.213
BA 4	0.142	0.259	0.233	0.213	0.330	0.304	0.283	0.400	0.374	0.354	0.471	0.455	0.425	0.542	0.516	0.170	0.188
BA 5	0.126	0.230	0.207	0.189	0.293	0.270	0.252	0.356	0.333	0.315	0.419	0.396	0.378	0.482	0.459	0.152	0.167
BA 6	0.110	0.204	0.183	0.165	0.259	0.238	0.220	0.314	0.293	0.276	0.370	0.349	0.331	0.425	0.404	0.133	0.147

Technical Data for BaerCoil® Wire Thread Inserts

UNC	1,0 D			1,5 D			2,0 D			2,5 D			3,0 D			F (mm)	
	T	D	B	T	D	B	T	D	B	T	D	B	T	D	B	min.	max.
2 x 56	0.086	0.166	0.148	0.129	0.209	0.191	0.172	0.252	0.234	0.215	0.295	0.277	0.258	0.338	0.320	0.107	0.119
3 x 48	0.099	0.193	0.172	0.148	0.242	0.221	0.198	0.292	0.271	0.248	0.342	0.321	0.297	0.391	0.370	0.124	0.139
4 x 40	0.112	0.224	0.199	0.168	0.280	0.255	0.224	0.336	0.311	0.280	0.392	0.367	0.336	0.448	0.423	0.142	0.159
5 x 40	0.125	0.237	0.212	0.187	0.300	0.275	0.250	0.362	0.337	0.312	0.425	0.400	0.375	0.487	0.462	0.155	0.173
6 x 32	0.138	0.279	0.247	0.207	0.348	0.316	0.276	0.417	0.385	0.345	0.486	0.454	0.414	0.555	0.523	0.175	0.193
8 x 32	0.164	0.305	0.273	0.246	0.387	0.355	0.328	0.469	0.437	0.410	0.551	0.519	0.492	0.633	0.601	0.201	0.220
10 x 24	0.190	0.377	0.336	0.285	0.472	0.431	0.380	0.567	0.526	0.475	0.662	0.621	0.570	0.757	0.716	0.238	0.259
12 x 24	0.216	0.404	0.362	0.324	0.512	0.470	0.432	0.620	0.578	0.540	0.727	0.686	0.648	0.836	0.794	0.265	0.283
1/4 x 20	0.250	0.475	0.425	0.375	0.600	0.550	0.500	0.725	0.675	0.625	0.850	0.800	0.750	0.975	0.925	0.308	0.330
5/16 x 18	0.312	0.562	0.507	0.469	0.719	0.663	0.625	0.875	0.819	0.781	1.031	0.976	0.937	1.187	1.132	0.377	0.400
3/8 x 16	0.375	0.656	0.594	0.562	0.844	0.781	0.750	1.031	0.969	0.937	1.219	1.156	1.125	1.406	1.344	0.447	0.472
7/16 x 14	0.437	0.759	0.687	0.656	0.978	0.906	0.875	1.196	1.125	1.094	1.415	1.343	1.312	1.634	1.562	0.520	0.551
1/2 x 13	0.500	0.846	0.769	0.750	1.096	1.019	1.000	1.346	1.269	1.250	1.596	1.519	1.500	1.846	1.769	0.588	0.622
9/16 x 12	0.562	0.937	0.854	0.844	1.219	1.135	1.125	1.500	1.417	1.406	1.781	1.698	1.687	2.062	1.979	0.659	0.694
5/8 x 11	0.625	1.034	0.943	0.937	1.347	1.256	1.250	1.659	1.568	1.562	1.972	1.881	1.875	2.284	2.193	0.730	0.767
3/4 x 10	0.750	1.200	1.100	1.125	1.575	1.475	1.500	1.950	1.850	1.875	2.325	2.225	2.250	2.700	2.600	0.865	0.906
7/8 x 9	0.875	1.375	1.264	1.312	1.812	1.701	1.750	2.250	2.139	2.187	2.687	2.576	2.625	3.125	3.014	1.002	1.052
1" x 8	1.000	1.563	1.437	1.500	2.062	1.937	2.000	2.562	2.437	2.500	3.062	2.937	3.000	3.562	3.437	1.143	1.196
1.1/8" x 7	1.125	1.768	1.625	1.687	2.330	2.187	2.250	2.893	2.750	2.812	3.455	3.312	3.375	4.018	3.875	1.288	1.355
1.1/4" x 7	1.250	1.893	1.750	1.875	2.518	2.375	2.500	3.143	3.000	3.125	3.768	3.625	3.750	4.393	4.250	1.413	1.483
1.3/8" x 6	1.375	2.125	1.958	2.062	2.812	2.646	2.750	3.500	3.333	3.437	4.187	4.021	4.125	4.875	4.708	1.565	1.643
1.1/2" x 6	1.500	2.250	2.083	2.250	3.000	2.833	3.000	3.750	3.583	3.750	4.500	4.333	4.500	5.250	5.083	1.690	1.772

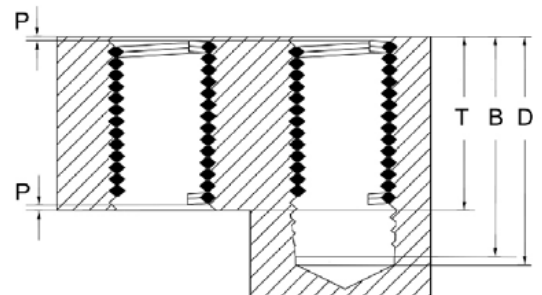
UNF	1,0 D			1,5 D			2,0 D			2,5 D			3,0 D			F (mm)	
	T	D	B	T	D	B	T	D	B	T	D	B	T	D	B	min.	max.
2 x 64	0.086	0.156	0.141	0.129	0.199	0.184	0.172	0.242	0.227	0.215	0.285	0.270	0.258	0.328	0.313	0.105	0.116
3 x 56	0.099	0.179	0.161	0.148	0.228	0.210	0.198	0.278	0.260	0.248	0.328	0.310	0.297	0.377	0.359	0.120	0.146
4 x 48	0.112	0.206	0.185	0.168	0.262	0.241	0.224	0.318	0.297	0.280	0.374	0.353	0.336	0.430	0.409	0.137	0.162
5 x 44	0.125	0.227	0.205	0.188	0.290	0.268	0.250	0.352	0.330	0.312	0.414	0.392	0.375	0.477	0.455	0.152	0.168
6 x 40	0.138	0.250	0.225	0.207	0.319	0.294	0.276	0.388	0.363	0.345	0.457	0.432	0.414	0.526	0.501	0.168	0.193
8 x 36	0.164	0.289	0.261	0.246	0.371	0.343	0.328	0.453	0.425	0.410	0.535	0.507	0.492	0.617	0.589	0.197	0.224
10 x 32	0.190	0.331	0.299	0.285	0.426	0.394	0.380	0.521	0.489	0.475	0.616	0.584	0.570	0.711	0.679	0.227	0.256
1/4 x 28	0.250	0.411	0.375	0.375	0.536	0.500	0.500	0.661	0.625	0.625	0.786	0.750	0.750	0.911	0.875	0.292	0.326
5/16 x 24	0.312	0.500	0.458	0.469	0.656	0.615	0.625	0.812	0.771	0.781	0.969	0.927	0.937	1.125	1.083	0.361	0.400
3/8 x 24	0.375	0.562	0.521	0.562	0.750	0.708	0.750	0.937	0.896	0.937	1.125	1.083	1.125	1.312	1.271	0.424	0.468
7/16 x 20	0.437	0.662	0.612	0.656	0.881	0.831	0.875	1.100	1.050	1.094	1.319	1.269	1.312	1.537	1.488	0.496	0.549
1/2 x 20	0.500	0.725	0.675	0.750	0.975	0.925	1.000	1.225	1.175	1.250	1.475	1.425	1.500	1.725	1.675	0.559	0.617
9/16 x 18	0.562	0.812	0.757	0.844	1.094	1.038	1.125	1.375	1.319	1.406	1.656	1.601	1.687	1.937	1.882	0.628	0.691
5/8 x 18	0.625	0.875	0.819	0.937	1.187	1.132	1.250	1.500	1.444	1.562	1.812	1.757	1.875	2.125	2.069	0.690	0.758
3/4 x 16	0.750	1.031	0.969	1.125	1.406	1.344	1.500	1.781	1.719	1.875	2.156	2.094	2.250	2.531	2.469	0.823	0.901
7/8 x 14	0.875	1.196	1.125	1.312	1.634	1.562	1.750	2.071	2.000	2.187	2.509	2.437	2.625	2.946	2.875	0.958	1.051
1" x 12	1.000	1.375	1.292	1.500	1.875	1.792	2.000	2.375	2.292	2.500	2.875	2.792	3.000	3.375	3.292	1.097	1.199
1.1/8" x 12	1.125	1.500	1.417	1.687	2.062	1.979	2.250	2.625	2.542	2.812	3.187	3.104	3.375	3.750	3.667	1.222	1.334
1.1/4" x 12	1.250	1.625	1.542	1.875	2.250	2.167	2.500	2.875	2.792	3.125	3.500	3.417	3.750	4.125	4.042	1.347	1.469
1.3/8" x 12	1.375	1.750	1.667	2.062	2.437	2.354	2.750	3.125	3.042	3.437	3.812	3.729	4.125	4.500	4.417	1.472	1.610
1.1/2" x 12	1.500	1.875	1.792	2.250	2.625	2.542	3.000	3.375	3.292	3.750	4.125	4.042	4.500	4.875	4.792	1.598	1.745

Technical Data for BaerCoil® Wire Thread Inserts

BSW	1,0 D			1,5 D			2,0 D			2,5 D			3,0 D			F (mm)	
	T	D	B	T	D	B	T	D	B	T	D	B	T	D	B	min.	max.
1/8 x 40	0.125	0.237	0.212	0.187	0.299	0.274	0.250	0.362	0.337	0.312	0.425	0.400	0.375	0.487	0.462	0.155	0.173
3/16 x 24	0.187	0.375	0.332	0.281	0.468	0.426	0.375	0.562	0.520	0.468	0.656	0.612	0.562	0.750	0.708	0.237	0.256
1/4 x 20	0.125	0.475	0.425	0.375	0.600	0.550	0.500	0.725	0.675	0.625	0.850	0.800	0.750	0.975	0.925	0.309	0.331
5/16 x 18	0.312	0.562	0.507	0.469	0.719	0.663	0.625	0.875	0.819	0.781	1.031	0.976	0.937	1.187	1.132	0.378	0.401
3/8 x 16	0.375	0.656	0.594	0.562	0.844	0.781	0.750	1.031	0.969	0.937	1.219	1.156	1.125	1.406	1.344	0.449	0.472
7/16 x 14	0.437	0.759	0.687	0.656	0.978	0.906	0.875	1.196	1.125	1.093	1.415	1.343	1.312	1.634	1.562	0.522	0.551
1/2 x 12	0.500	0.875	0.792	0.750	1.125	1.042	1.050	1.375	1.292	1.250	1.625	1.542	1.500	1.875	1.792	0.598	0.630
9/16 x 12	0.562	0.937	0.854	0.844	1.219	1.135	1.125	1.500	1.417	1.406	1.781	1.698	1.687	2.062	1.979	0.661	0.694
5/8 x 11	0.625	1.034	0.943	0.937	1.347	1.256	1.250	1.659	1.568	1.562	1.972	1.881	1.875	2.234	2.193	0.732	0.767
11/16 x 11	0.687	1.097	1.006	1.031	1.441	1.350	1.375	1.696	1.694	1.718	2.128	2.037	2.062	2.472	2.381		
3/4 x 10	0.750	1.200	1.100	1.125	1.575	1.475	1.500	1.950	1.850	1.875	2.325	2.225	2.250	2.700	2.606	0.868	0.905
7/8 x 9	0.875	1.375	1.264	1.312	1.812	1.701	1.750	2.250	2.139	2.187	2.687	2.576	2.625	3.125	3.014	1.006	1.051
1" x 8	1.000	1.563	1.437	1.500	2.062	1.937	2.000	2.562	2.437	2.500	3.062	2.937	3.000	3.562	3.437	1.147	1.197
1.1/8" x 7	1.125	1.768	1.625	1.687	2.330	2.187	2.250	2.893	2.750	2.812	3.455	3.312	3.375	4.018	3.875	1.293	1.354
1.1/4" x 7	1.250	1.893	1.750	1.875	2.518	2.375	2.500	3.143	3.000	3.125	3.768	3.625	3.750	4.393	4.250	1.418	1.484
1.1/2" x 6	1.500	2.250	2.083	2.250	3.000	2.833	3.000	3.750	3.583	3.750	4.500	4.333	4.500	5.250	5.083	1.696	1.776

BSF	1,0 D			1,5 D			2,0 D			2,5 D			3,0 D			F (mm)	
	T	D	B	T	D	B	T	D	B	T	D	B	T	D	B	min.	max.
3/16 x 32	0.187	0.327	0.296	0.281	0.421	0.390	0.375	0.515	0.484	0.468	0.608	0.577	0.562	0.702	0.671	0.225	0.247
7/32 x 28	0.218	0.379	0.343	0.328	0.489	0.453	0.437	0.598	0.562	0.546	0.707	0.671	0.656	0.817	0.781		
1/4 x 26	0.250	0.423	0.385	0.375	0.548	0.510	0.500	0.673	0.635	0.625	0.798	0.760	0.750	0.923	0.885	0.296	0.331
9/32 x 26	0.281	0.454	0.416	0.421	0.594	0.566	0.562	0.735	0.697	0.703	0.876	0.838	0.843	1.016	0.978		
5/16 x 22	0.312	0.516	0.471	0.469	0.673	0.628	0.625	0.829	0.784	0.781	0.985	0.940	0.937	1.141	1.096	0.367	0.405
3/8 x 20	0.375	0.325	0.550	0.562	0.787	0.737	0.750	0.975	0.925	0.937	1.162	1.112	1.125	1.350	1.300	0.435	0.476
7/16 x 18	0.437	0.687	0.631	0.656	0.906	0.850	0.875	1.125	1.069	1.093	1.343	1.287	1.312	1.562	1.506	0.504	0.555
1/2 x 16	0.500	0.781	0.719	0.750	1.031	0.969	1.000	1.281	1.219	1.250	1.531	1.469	1.500	1.781	1.719	0.575	0.630
9/16 x 16	0.562	0.843	0.781	0.844	1.125	1.063	1.125	1.406	1.344	1.406	1.687	1.625	1.687	1.968	1.906	0.637	0.700
5/8 x 14	0.625	0.946	0.875	0.937	1.258	1.187	1.250	1.571	1.500	1.562	1.883	1.812	1.875	2.196	2.125	0.710	0.775
11/16 x 14	0.687	1.008	0.937	1.031	1.352	1.281	1.375	1.696	1.625	1.718	2.039	1.968	2.062	2.383	2.312		
3/4 x 12	0.750	1.125	1.042	1.125	1.500	1.417	1.500	1.875	1.792	1.875	2.250	2.167	2.250	2.625	2.542	0.849	0.925
13/16 x 12	0.812	1.187	1.104	1.218	1.593	1.510	1.625	2.000	1.917	2.031	2.406	2.323	2.437	2.812	2.729		
7/8 x 11	0.875	1.284	1.193	1.312	1.721	1.630	1.750	2.159	2.068	2.187	2.596	2.505	2.625	3.034	2.943	0.983	1.074
1" x 10	1.000	1.450	1.350	1.500	1.950	1.850	2.000	2.450	2.350	2.500	2.950	2.850	3.000	3.450	3.350	1.119	1.220
1.1/8" x 9	1.125	1.625	1.514	1.687	2.187	2.076	2.250	2.750	2.639	2.812	3.312	3.201	3.375	3.875	3.764	1.257	1.366
1.1/4" x 9	1.250	1.750	1.639	1.875	2.375	2.264	2.500	3.000	2.889	3.125	3.625	3.514	3.750	4.250	4.139	1.382	1.500
1.3/8" x 8	1.375	1.938	1.813	2.062	2.625	2.500	2.750	3.312	3.188	3.437	4.000	3.875	4.125	4.688	4.563	1.523	1.657
1.1/2" x 8	1.500	2.063	1.938	2.250	2.813	2.688	3.000	3.563	3.438	3.750	4.313	4.188	4.500	5.063	4.938	1.648	1.811

- P** Installed insert 1/4 – 1/2 pitch below the surface
- T** Length of Insert, when installed
- B** Tap depth – including threads chamfer of plug tap
- D** Drill depth (min.) - excluding point
- F** Free coil diameter





BAER Vertriebs GmbH
Robert-Bosch-Str. 5
68542 Heddesheim
Germany

Tel: +49 (0) 6203 4048 790
Fax: +49 (0) 6203 4048 791
E-Mail: info@baercoil.com
www.baercoil.com

BaerCoil®